

ISO 9001:2015



APPROVED

IS18471:2025



CML-4100260065



BROADEN
WORLDWIDE CO., LTD.

BUILDING FASTENERS

100% Made in Taiwan



BROADEN
WORLDWIDE CO., LTD.

BN3 FASTENERS

Milestones

2009 Broaden Worldwide Co., Ltd. Established in 2009 by five partners.

2014 Created the BDN Fasteners® brand.

2015 Set-up Branch in Thailand.

2017 Started Manufacturing In-House, focusing on Heading, Pinch Pointing and Threading.

2018 Set-up authorized dealership in India.

2019 Moved to current location.

2020~2021 Steady growth despite COVID-19.

2022 Set-up authorized dealership in Vietnam. Added Collated Screw Assembly Line.

2024 Became a FM Approved Supplier. Started In-house Pinch-Pointing Die Manufacturing.

2025 Received BIS (Bureau of Indian Standards) Certification. Purchased and moved to new 2000 sqm Facility in Thailand.



ISO 9001:2015

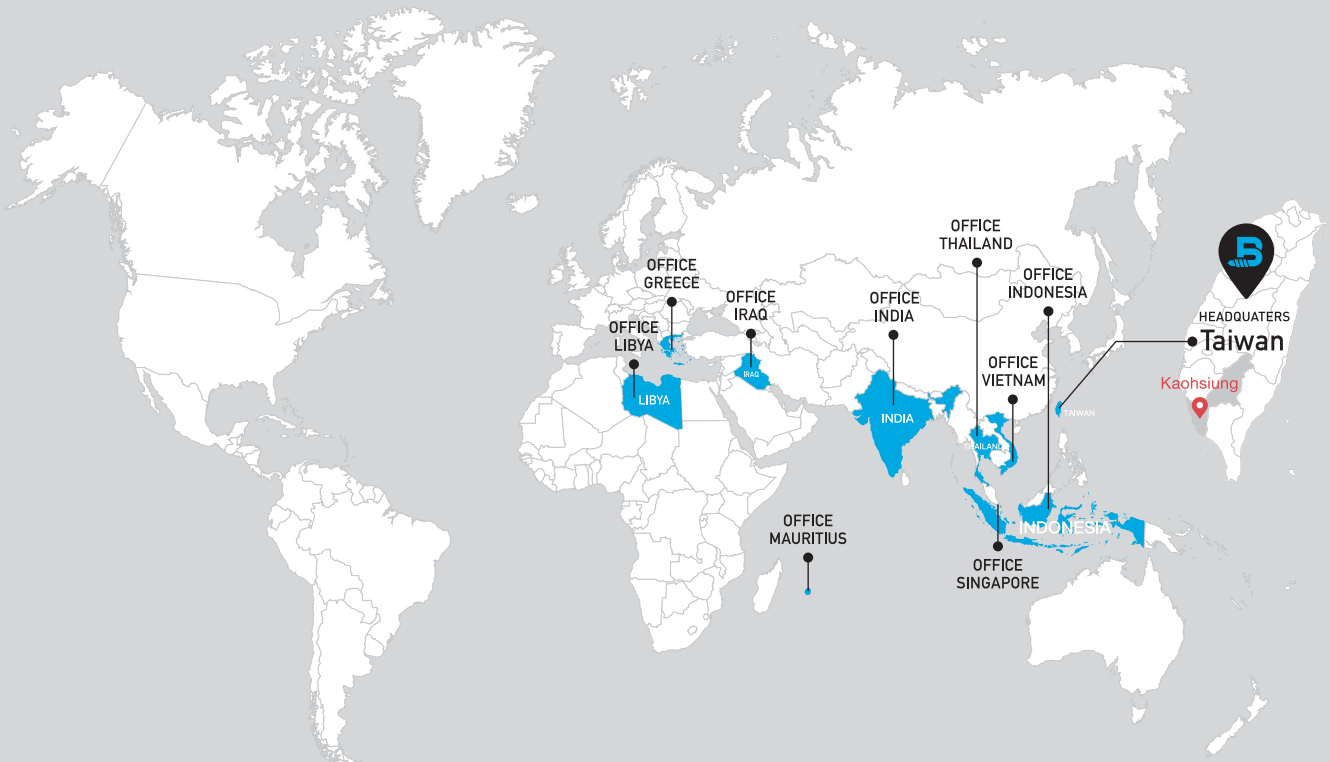


APPROVED

IS18471:2025











CM/L-4100260065






CONTENTS

METAL-Tite™ Self-Drilling Screws

Fixing Cladding to Metal		6
Fixing to Thick Steel (No.5 Drill Point)		7
Crest Fixing Fasteners (Full Thread)		8
Crest Fixing Fasteners (Double Thread)		9
Stitching Fasteners (Reduced Point)		10
Stitching Fasteners (Needle Point)		11
Concealed Fixing Fasteners		12
Clip-Fix Button Head Self-Drilling Screws		13

Framing Screws

Truss to Plate Connection		14
TRUSS-Tite™ Fixing Steel Roof and Floor Trusses		15
FRAME-Tite™ Fixing to Steel Wall Frames		16

POLYXPAND™

Fixing Polycarbonate Sheeting to Metal		17
--	--	----

POLY-FAST™ Polycarbonate Roof Fasteners

POLY-FAST™ Metal		18
POLY-FAST™ Timber		19
POLY-FAST™ Duo		20

Collated Screws

TIMBER-Tite™ Type 17 Self-Tapping Screws

Valley Fixing Fasteners		22
Fixing Roof Sheeting to Timber (Double Thread)		23

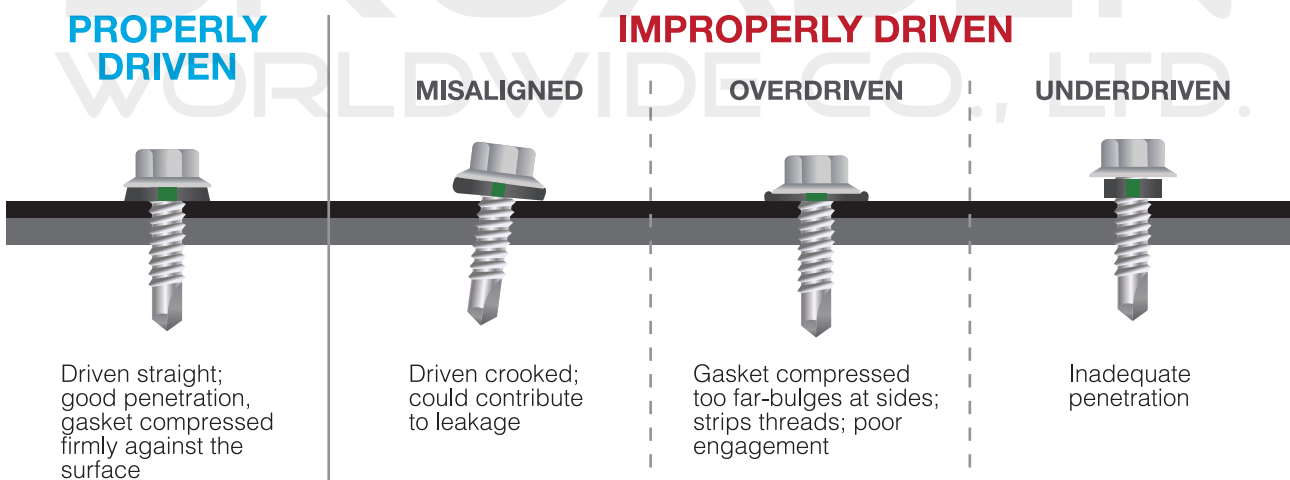
Product Guides and Tips

Recommended Drill Speeds

Recommended Drill Speeds	
Screw Type	RPM
Metal SDS	2500 rpm
Metal SDS - 5 Series	1800 rpm
Timber - Type 17	1500 rpm
Needle Point - Steel	2500 rpm
Needle Point - Timber	1000 rpm
Chipboard	1000 rpm

It is recommended that an appropriate drill driver with depth gauge and clutch setting be used.

Screw Installation




















Product Guides and Tips

Screw Description

Self-Tapping Screw Gauge (g)	Size (mm)
#6	M3.5
#8	M4.2
#10	M4.8
#12	M5.5
#13	M6.0
#14	M6.3

Part Number Description

SD	H		C		G	12	55	C3	N	
SCREW GROUP	HEAD STYLE	DRILLING POINT	THREAD PITCH	PRODUCT	THREAD TYPE	GAUGE	LENGTH	CORROSION RESISTANCE CLASS	SEALING WASHER	
SD  Self-Drilling	H  Hex Head	5  Hex Head	C  Coarse Thread	P  Polyxand	G  Scratchank	06	VARIOUS	C3  SST 1000hrs 7 Cycles	N  Eco-BDN Green EPDM Washer	
T17  Type 17	W  Wafew Head	-	F  Fine Thread	-	XG  Double Scratchank	08		C4  SST 1000hrs 15 Cycles	B  Bonded Washer	
NP  Needle Point	BT  Button Head	-	-	-	-	10				
						12				
						14			D  BAZ Washer	

Product Overview

Coating Type: Zinc + Organic Coating (Ruspert) | SGS Certification: SST 1000hrs + Kesternich 7 cycles

Type										
Product										
Application	Metal		Thick Steel	Metal		Stitching		Concealed		
Max. drilling capacity [mm]	4.0mm thick (For #10 gauge)	6.0mm thick (For #12 gauge)	12.5mm thick	6.0mm thick	6.0mm thick	1+1mm thick	1+1mm thick	4.0mm thick	2.5mm thick	
Gauge TPI x Length [mm]	10-16 x 16 10-16 x 19 10-16 x 25	12-14 x 20 12-14 x 25 12-14 x 30 12-14 x 35	12-24 x 32 12-24 x 38 12-24 x 50	12-14 x 50 12-14 x 55 12-14 x 65 12-14 x 75 12-14 x 85 12-14 x 110 12-14 x 130	12-14 x 45 12-14 x 55 12-14 x 65 12-14 x 75 12-14 x 90	15-15 x 20	10-16 x 19	10-24 x 16 10-24 x 22	8-18 x 45 8-18 x 65	
Product webpage QR code										

Product Overview

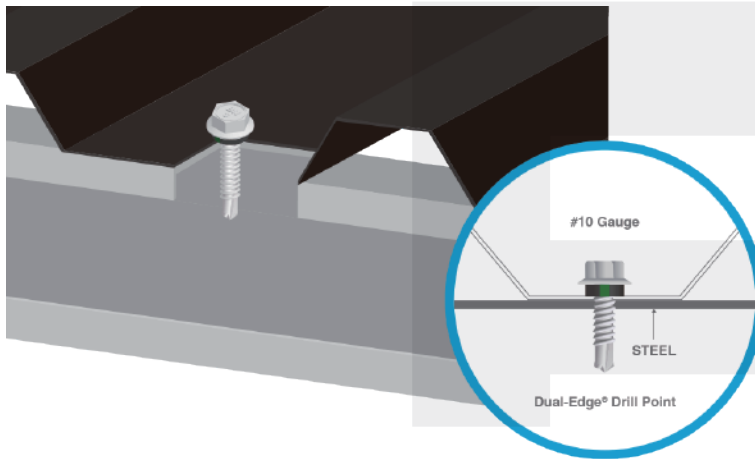
Coating Type: Zinc + Organic Coating (Ruspert) | SGS Certification: SST 1000hrs + Kesternich 7 cycles

									Type
									Product
Truss			Timber			Polycarbonate Skylight			Application
4.0mm thick	1.5+1.5mm thick	0.75mm to 1.6mm thick Pre-punched hole	Min 20mm Timber penetration	Min 25mm Timber penetration	5.5mm thick	4.5mm thick	Min 25mm Timber penetration	3mm thick	Max. drilling capacity [mm]
M6.0-1.00 x 22	12-14 x 20	M8.0-2.12 x 16	10-12 x 20	12-11 x 50 12-11 x 65 12-11 x 75	12-14 x 40 (Valleys) 12-14 x 55 12-14 x 65 12-14 x 72 (Crests)	12-14 x 60	12-11 x 50	12-11 x 50	Gauge TPI x Length [mm]
									Product webpage QR code

AS3566 Australian Standard • 100% Made in Taiwan

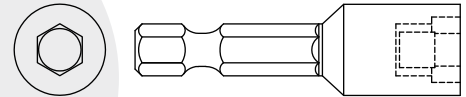
BN3 METAL-Tite™ Dual-Edge® Self-Drilling Screws

Fixing Cladding to Metal



ADAPTER TO USE

Magnetic Hex Socket (5/16")



STEEL PENETRATION

Max. 4.0mm thick (For #10 gauge)
Max. 6.0mm thick (For #12 gauge)

PRODUCT FEATURES

Hex Washer Flange
Dual-Edge® Drill Point

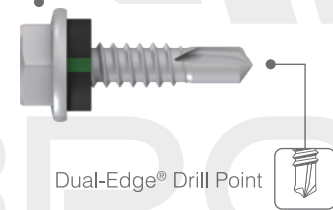
WASHER

Eco-BDN® Green Washer



Eco-BDN
Green Washer

Hex Washer Flange



Dual-Edge® Drill Point

SST 1000 hrs + Kesternich 7 cycles

PART NUMBER

#10 Gauge

BN3-SDHC1016C3N	10-16 x 16mm
BN3-SDHC1020C3N	10-16 x 20mm
BN3-SDHC1016C3N	10-16 x 25mm

#12 Gauge

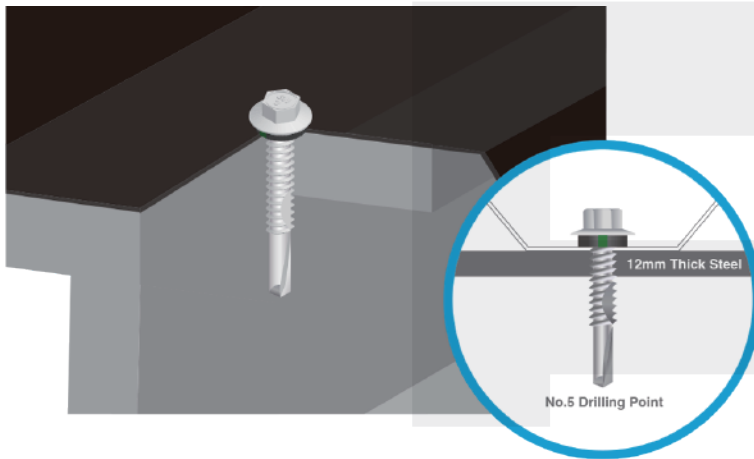
BN3-SDHC1220C3N	12-14 x 20mm
BN3-SDHC1225C3N	12-14 x 25mm
BN3-SDHC1230C3N	12-14 x 30mm
BN3-SDHC1235C3N	12-14 x 35mm



AS3566 Australian Standard • 100% Made in Taiwan

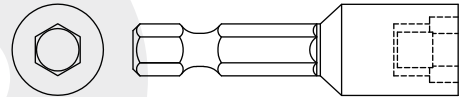
BN3 METAL-Tite™ Heavy Duty Self-Drilling Screws

Fixing to Thick Steel - No. 5 Drill Point



ADAPTER TO USE

Magnetic Hex Socket (5/16")



STEEL PENETRATION

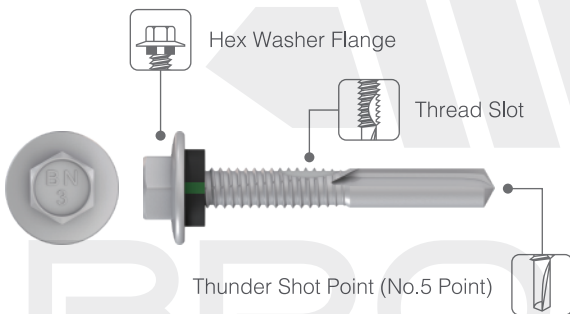
Max. 12.5mm thick

PRODUCT FEATURES

Hex Washer Flange
Thread slot
No.5 Drilling Point

WASHER

Eco-BDN® Green Washer



Eco-BDN
Green Washer

SST 1000 hrs + Kesternich 7 cycles

PART NUMBER

#12 Gauge

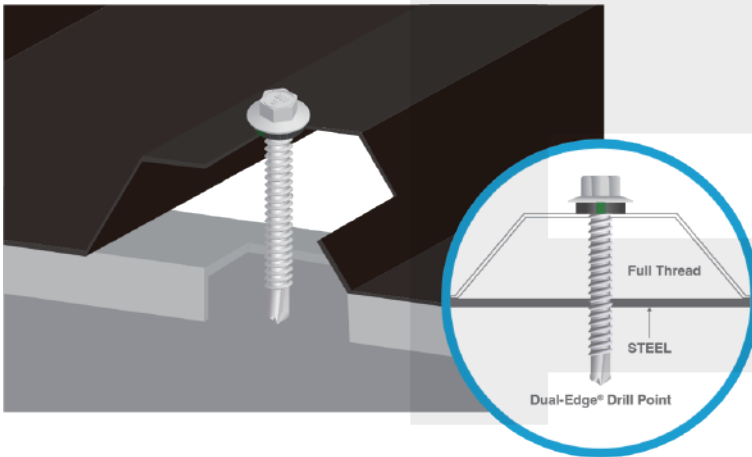
BN3-SD5F1232C3	12-24 x 32mm
BN3-SD5F1238C3	12-24 x 38mm
BN3-SD5F1250C3	12-24 x 50mm



AS3566 Australian Standard • 100% Made in Taiwan

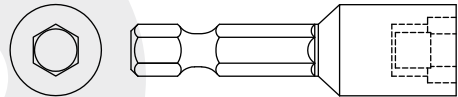
BN3 METAL-Tite™ Dual-Edge® Self-Drilling Screws

Fixing Roof Sheeting to Metal - Full Thread



ADAPTER TO USE

Magnetic Hex Socket (5/16")



STEEL PENETRATION

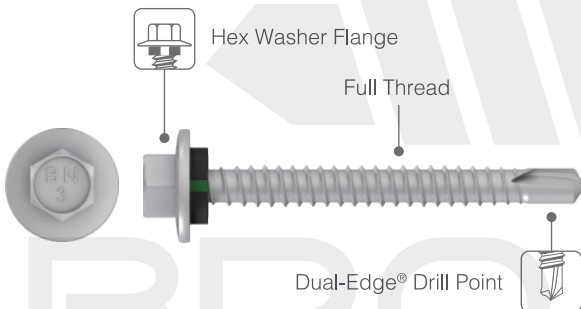
Max. 6.0mm thick (For #12 gauge)

PRODUCT FEATURES

Hex Washer Flange
Full Thread
Dual-Edge® Drill Point

WASHER

Eco-BDN® Green Washer



Eco-BDN
Green Washer

SST 1000 hrs + Kesternich 7 cycles

PART NUMBER

#12 Gauge

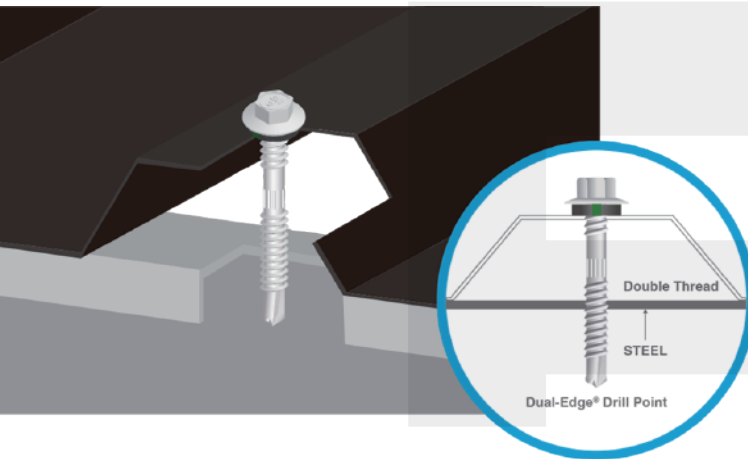
BN3-SDHC1245C3	12-14 x 45mm	BN3-SDHC1275C3	12-14 x 75mm
BN3-SDHC1255C3	12-14 x 55mm	BN3-SDHC1290C3	12-14 x 90mm
BN3-SDHC1265C3	12-14 x 65mm		



AS3566 Australian Standard • 100% Made in Taiwan

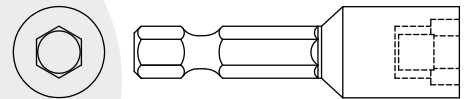
BN3 METAL-Tite™ Dual-Edge® Self-Drilling Screws

Fixing Roof Sheeting to Metal - Double Thread



ADAPTER TO USE

Magnetic Hex Socket (5/16")



STEEL PENETRATION

Max. 6.0mm thick (For #12 gauge)

PRODUCT FEATURES

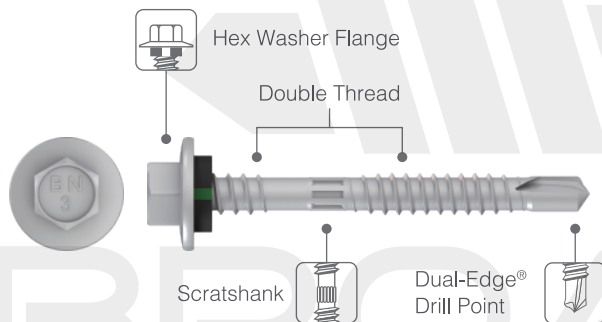
Hex Washer Flange
Dual-Edge® Drill Point
Double Thread
Scratchank

WASHER

Eco-BDN® Green Washer



Eco-BDN
Green Washer



SST 1000 hrs + Kesternich 7 cycles

PART NUMBER

#12 Gauge

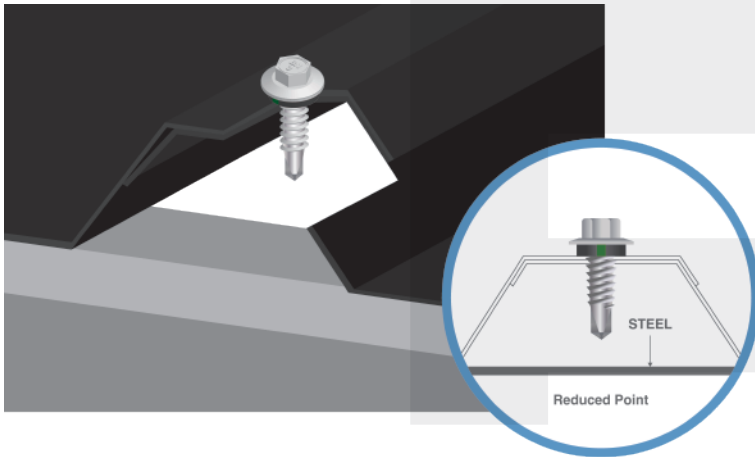
BN3-SDHCG1250C3	12-14 x 50mm	BN3-SDHCG1285C3	12-14 x 85mm
BN3-SDHCG1255C3	12-14 x 55mm	BN3-SDHCG12110C3	12-14 x 110mm
BN3-SDHCG1265C3	12-14 x 65mm	BN3-SDHCG12130C3	12-14 x 130mm
BN3-SDHCG1275C3	12-14 x 75mm		



AS3566 Australian Standard • 100% Made in Taiwan

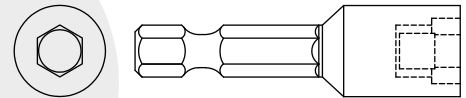
BN3 METAL-Tite™ Stitching Fasteners

Stitching Fasteners - Reduced Point



ADAPTER TO USE

Magnetic Hex Socket (5/16")



STEEL PENETRATION

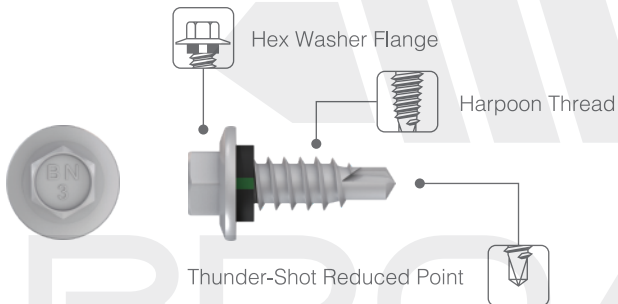
Max. drilling capacity 1+1mm thick

PRODUCT FEATURES

Hex Washer Flange
Thunder-Shot Reduced Point
Harpoon Thread

WASHER

Eco-BDN® Green Washer



Eco-BDN
Green Washer

SST 1000 hrs + Kesternich 7 cycles

PART NUMBER

#10 Gauge

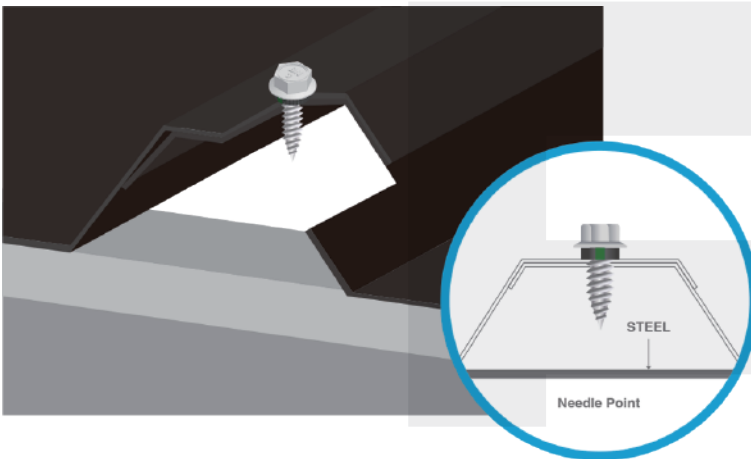
BN3-SDHC1520C3 15-15 x 20mm



AS3566 Australian Standard • 100% Made in Taiwan

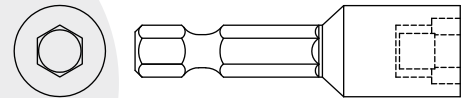
BN3 METAL-Tite™ Stitching Fasteners

Stitching Fasteners - Needle Point



ADAPTER TO USE

Magnetic Hex Socket (5/16")

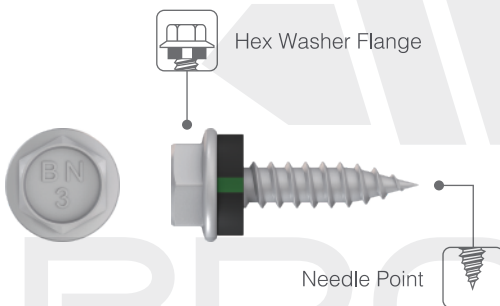


STEEL PENETRATION

Max. drilling capacity 1+1mm thick

PRODUCT FEATURES

Hex Washer Flange
Needle Point



WASHER

Eco-BDN® Green Washer



 Eco-BDN
Green Washer

SST 1000 hrs + Kesternich 7 cycles

PART NUMBER

#10 Gauge

BN3-SDHST1019C3 10-16 x 19mm

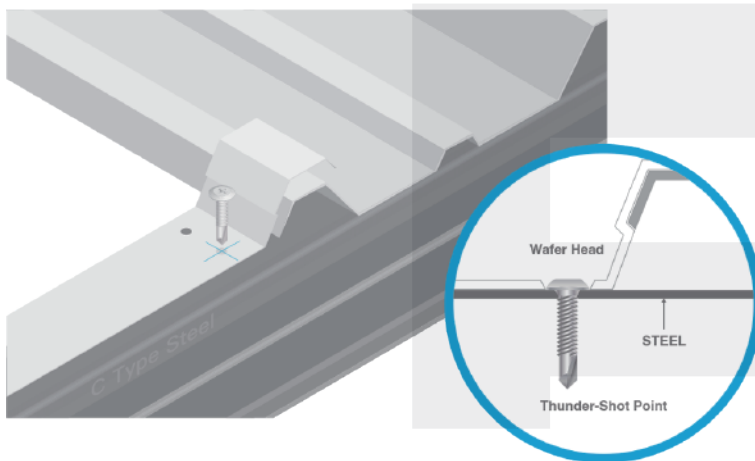




AS3566 Australian Standard • 100% Made in Taiwan

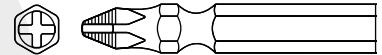
BN3 METAL-Tite™ Concealed Fixing Fasteners

Fixing steel sheets into steel substrates



ADAPTER TO USE

Philips Bit (PH2+)

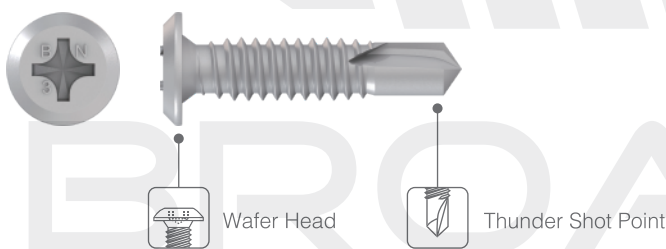


STEEL PENETRATION

Max. 4.0mm thick

PRODUCT FEATURES

Wafer Head
Philips Drive
Thunder-Shot Point



BROADEN
WORLDWIDE CO., LTD.

SST 1000 hrs + Kesternich 7 cycles

PART NUMBER

#10 Gauge

BN3-SDWF1016C3 10-24 x 16mm

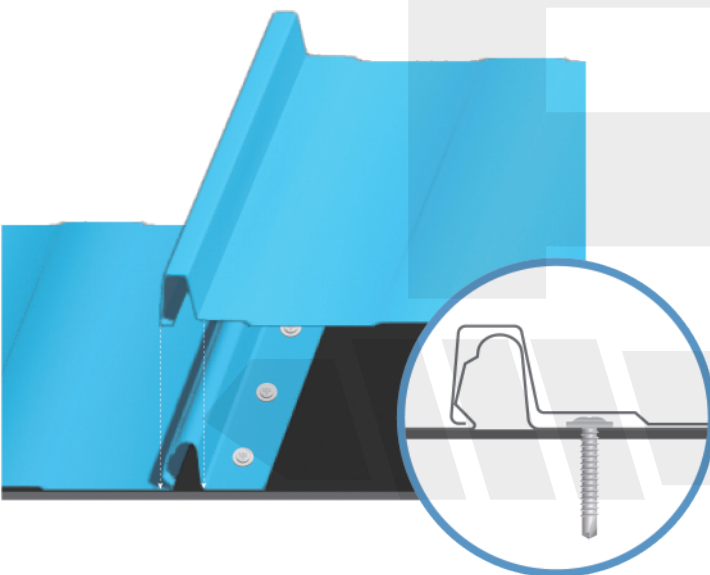
BN3-SDWF1022C3 10-24 x 22mm



AS3566 Australian Standard • 100% Made in Taiwan

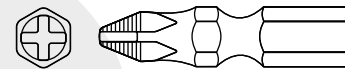
BN3 Clip-Fix Button Head Self-Drilling Screws

BDN Clip-Fix button head self-drilling screws is suited for concealed and pierce fixing snap-lock type cladding system panels to thin gauge steel battens. Clip-Fix's low-profile button head are concealed and will not interfere when panels are snapped into position, providing a clean finish.



ADAPTER TO USE

Philips Bit (PH2+)

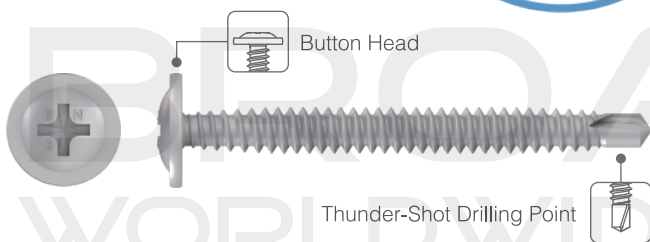


STEEL PENETRATION

Max. 2.5mm thick

PRODUCT FEATURES

- Low profile Button head
- Philips Drive
- Thunder-Shot Drilling Point
- Suited for clip fixing to batten supports



SST 1000 hrs + Kesternich 7 cycles

PART NUMBER

#8 Gauge

BN3-SDBT0845C3 8-18 x 45mm

BN3-SDBT0865C3 8-18 x 65mm

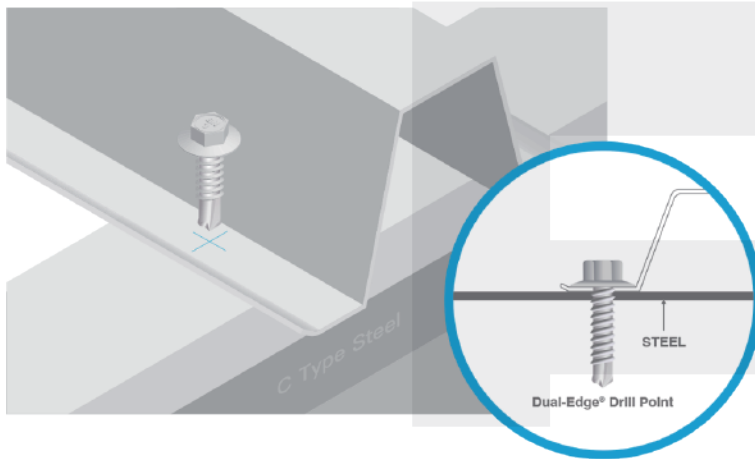


AS3566 Australian Standard • 100% Made in Taiwan

BN3 METAL-Tite™ Truss to Plate Connection Fasteners

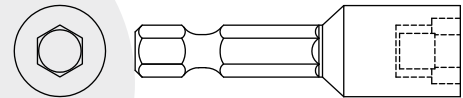
Truss to Plate Connecting Fasteners

METAL-Tite™



ADAPTER TO USE

Magnetic Hex Socket (5/16")



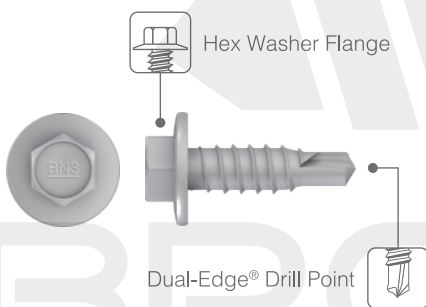
STEEL PENETRATION

Max. drilling capacity 1.5+1.5mm thick

PRODUCT FEATURES

Dual-Edge® Drill Point

High pull-out strength



SST 1000 hrs + Kesternich 7 cycles

PART NUMBER

#12 Gauge

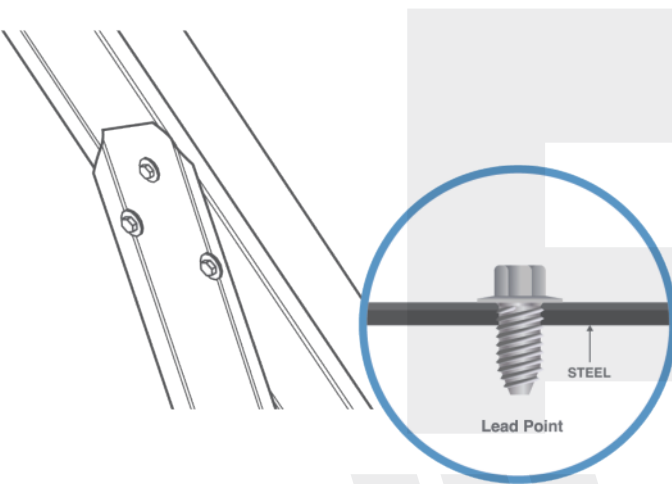
BN3-SDHCF1220C3 12-14 x 20mm



AS3566 Australian Standard • 100% Made in Taiwan

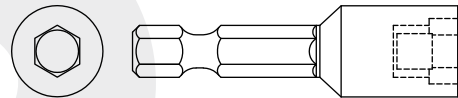
BN3 TRUSS-Tite™ Framing Fasteners

Fixing Steel Roof and Floor Trusses



ADAPTER TO USE

Magnetic Hex Socket (5/16")



STEEL PENETRATION

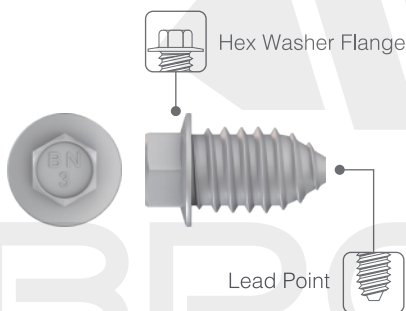
From 0.75mm to 1.6mm thick

PRODUCT FEATURES

Easy application

Trilobular Thread for Superior Grip and Pull-out Strength

Lead Point to perfectly center the screw and initiate the thread-rolling process.



BROADEN
WORLDWIDE CO., LTD.

SST 1000 hrs + Kesternich 7 cycles

PART NUMBER

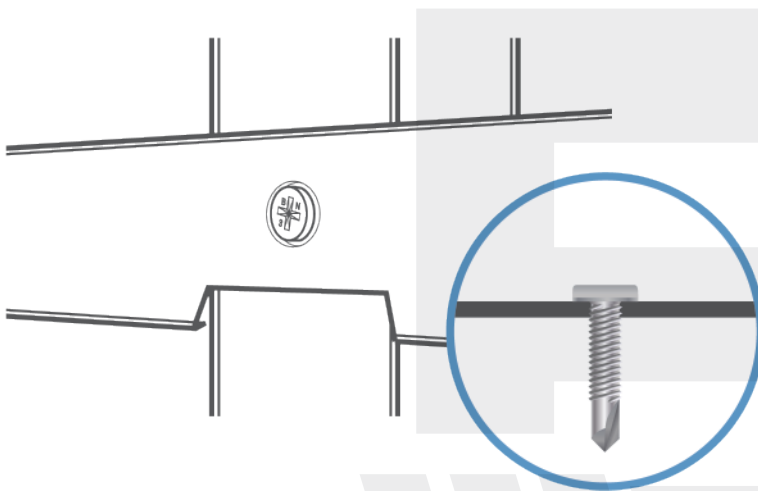
BN3-SDHTSF0816C3 M8.0-2.12 x 16mm



AS3566 Australian Standard • 100% Made in Taiwan

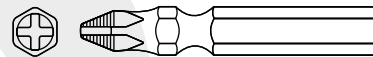
BN3 FRAME-Tite™ Framing Fasteners

Fixing to steel wall frames



ADAPTER TO USE

Philips Bit (PH3+)

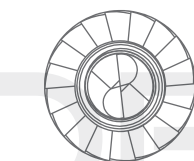
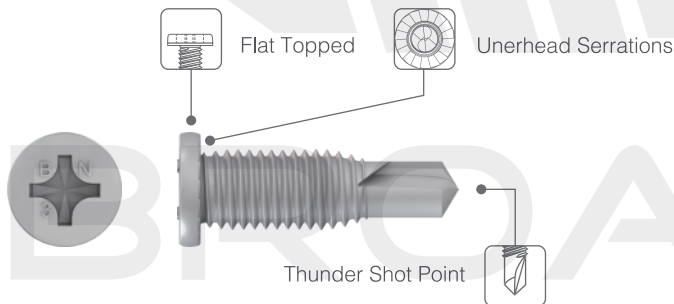


STEEL PENETRATION

Max. 4.0mm thick

PRODUCT FEATURES

- Smooth flat top head for discreet fixing
- Superior holding strength
- Easy application
- Underhead Serrations



Underhead Serrations to provides superior grip and locking action to prevent loosening.

SST 1000 hrs + Kesternich 7 cycles

PART NUMBER

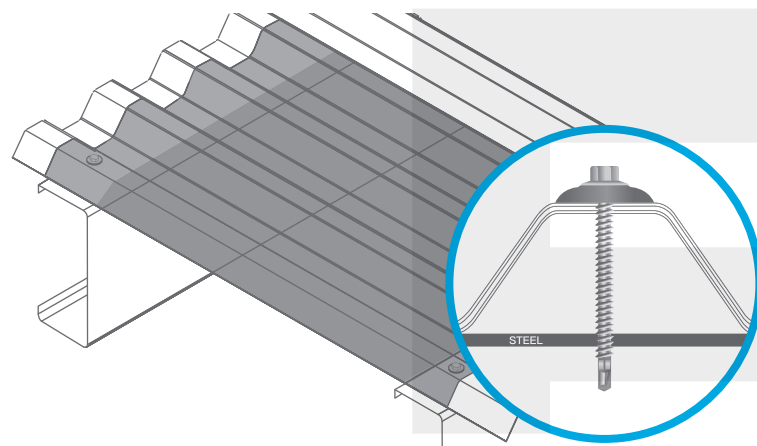
BN3-SDFHSF0622C3 M6.0-1.00 x 22mm



AS3566 Australian Standard • 100% Made in Taiwan

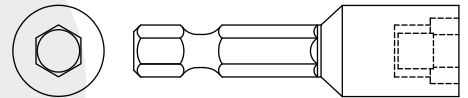
POLYXPAND™ Plastic Skylight Fasteners

Fixing Polycarbonate Sheeting to Metal



ADAPTER TO USE

Magnetic Hex Socket (5/16")



STEEL PENETRATION

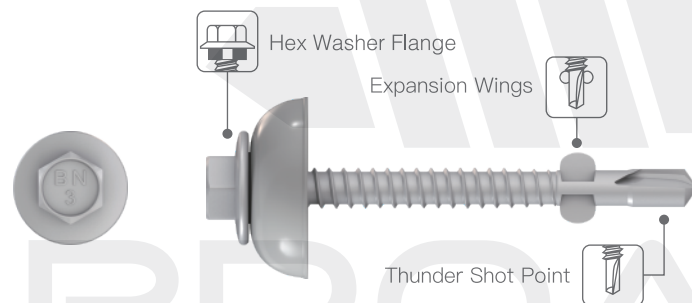
Max 5.5mm Thick

PRODUCT FEATURES

Hex Washer Flange
Expansion Wings
Thunder-Shot Point

WASHER

Ø 25mm Dome Grey EPDM

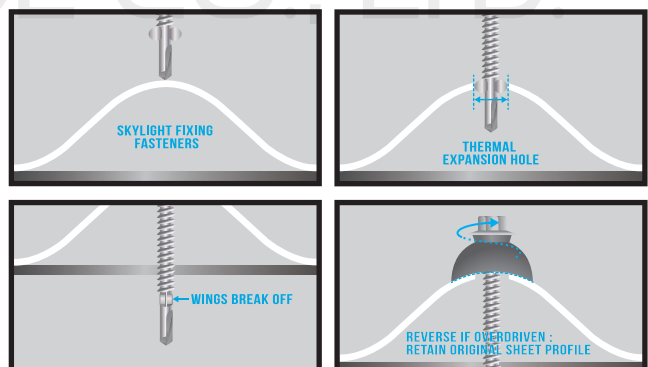


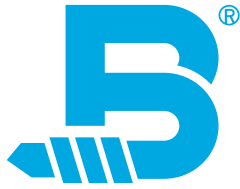
SST 1000 hrs + Kesternich 7 cycles

PART NUMBER

#12 Gauge

BN3-SDHCP1240C3D	12-14 x 40mm
BN3-SDHCP1255C3D	12-14 x 55mm
BN3-SDHCP1265C3D	12-14 x 65mm
BN3-SDHCP1272C3D	12-14 x 72mm





BROADEN
WORLDWIDE CO., LTD.

BN3 FASTENERS

IS18471:2025



CM/L-4100260065

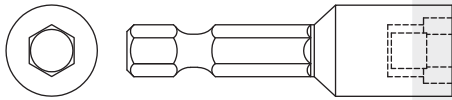
AS3566 Australian Standard • 100% Made in Taiwan

POLY-FAST™ Metal Polycarbonate Roof Fasteners

Fixing Polycarbonate Skylight to Steel

ADAPTER TO USE

Magnetic Hex Socket (5/16")



STEEL PENETRATION

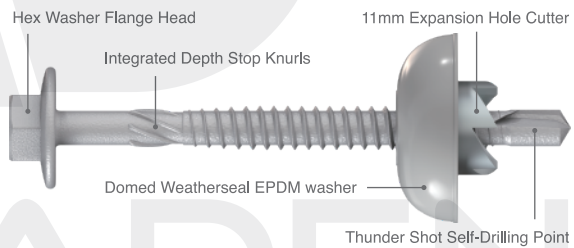
Max 4.5mm thick

PRODUCT FEATURES

- Hex Washer Flange Head
- Integrated Depth Stop Knurls
- 11mm Expansion Hole Cutter
- Thunder Shot Self-Drilling Point

WASHER

Domed, Weatherseal, Anti-static
EPDM Washer



PART NUMBER

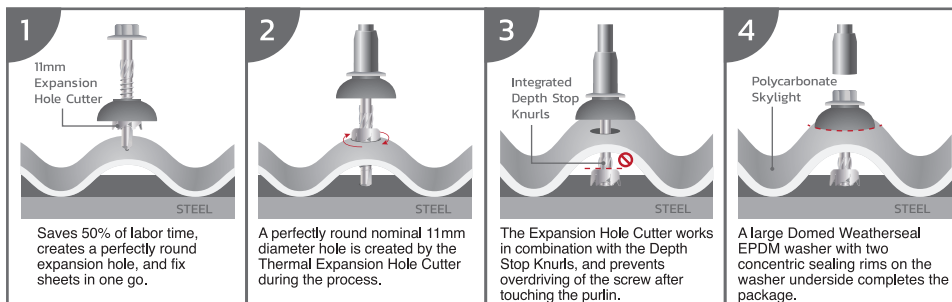
#12 Gauge

BN4-SDXPS1260C4 12-14 x 60mm

Corrosion Resistance

Class 4 Mechanical Zinc-Tin Plating

Installation Procedure



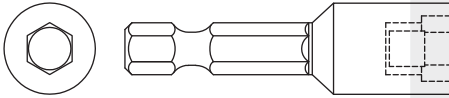
AS3566 Australian Standard • 100% Made in Taiwan

POLY-FAST™ Timber Polycarbonate Roof Fasteners

Fixing Polycarbonate Skylight to Timber

ADAPTER TO USE

Magnetic Hex Socket (5/16")



TIMBER PENETRATION

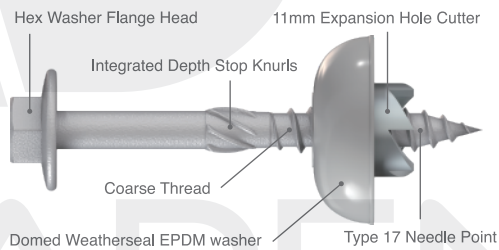
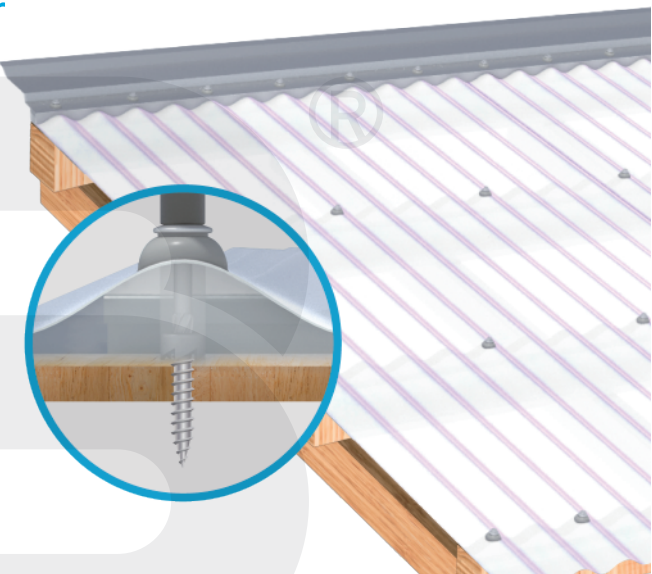
Min 25mm penetration

PRODUCT FEATURES

Hex Washer Flange Head
Integrated Depth Stop Knurls
11mm Expansion Hole Cutter
Type 17 Needle Point

WASHER

Domed, Weatherseal, Anti-static
EPDM Washer



PART NUMBER

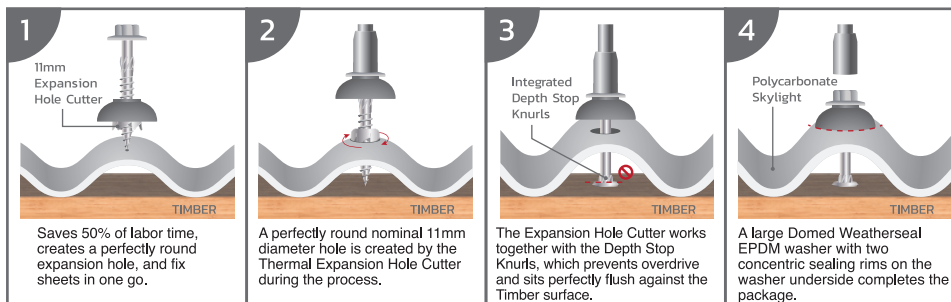
#12 Gauge

BN4-T17HXPS1250C4 12-11 x 50mm

Corrosion Resistance

Class 4 Mechanical Zinc-Tin Plating

Installation Procedure



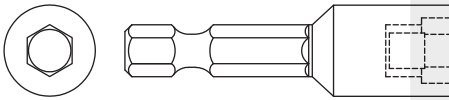
AS3566 Australian Standard • 100% Made in Taiwan

POLY-FAST™ Duo Polycarbonate Roof Fasteners

Dual purpose, Fixing Polycarbonate Skylight to Metal and Timber

ADAPTER TO USE

Magnetic Hex Socket (5/16")



STEEL PENETRATION

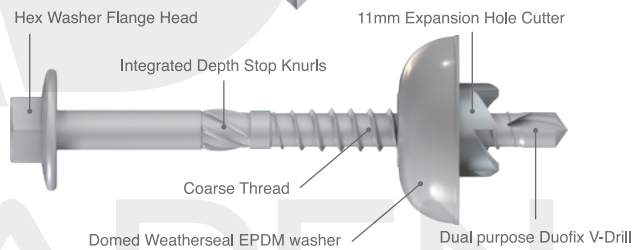
Max. 3.0mm thick

PRODUCT FEATURES

Hex Washer Flange Head
Integrated Depth Stop Knurls
11mm Expansion Hole Cutter
Dual purpose Duofix V-Drill

WASHER

Domed, Weatherseal, Anti-static
EPDM Washer



PART NUMBER

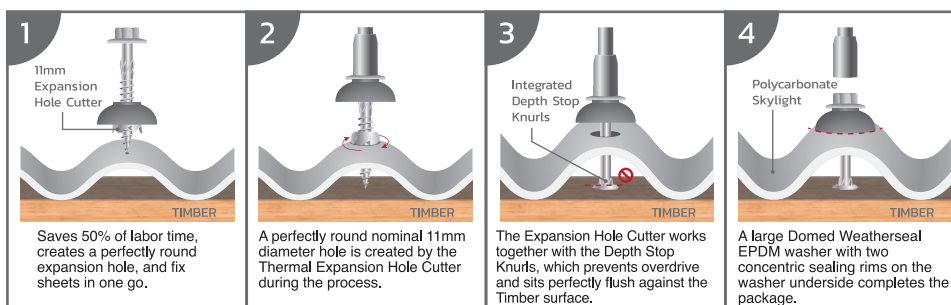
#12 Gauge

BN3-S17HXPS1250C3 12-11 x 50mm

Corrosion Resistance

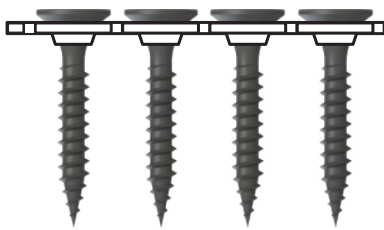
Class 4 Mechanical Zinc-Tin Plating

Installation Procedure



AS3566 Australian Standard • 100% Made in Taiwan
Collated Drywall Screws

Collated Bulge Head Screws for Thin Steel



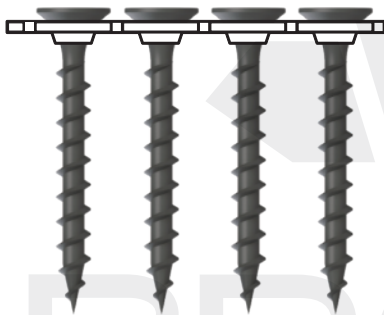
Fine Thread

Dimension

- M3.5 x 25mm #6-18 x 1"
- M3.5 x 32mm #6-18 x 1-1/4"
- M3.5 x 41mm #6-18 x 1-5/8"



Collated Bulge Head Screws for Timber



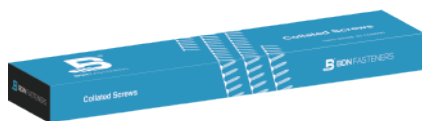
Coarse Thread

Dimension

- M3.5 x 25mm #6-9 x 1"
- M3.5 x 32mm #6-9 x 1-1/4"
- M3.5 x 41mm #6-9 x 1-5/8"



Standard Packaging:
50pcs/strip, 1000pcs/box
and 10000pcs/ctn



Inner Box
Size: 560 x 120 x 50mm



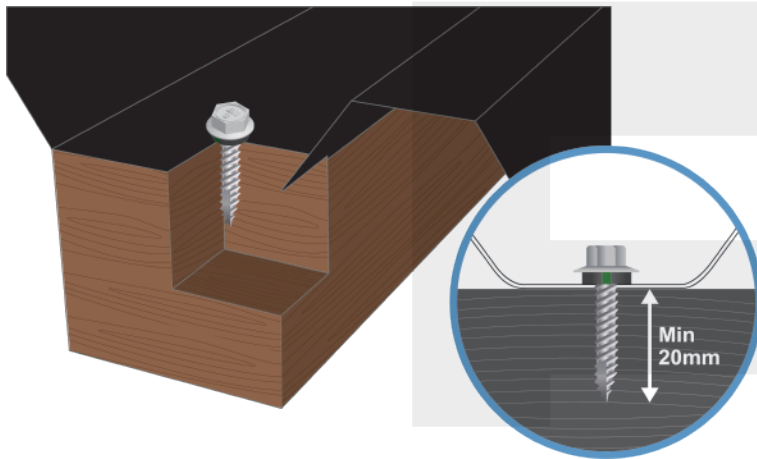
Outer Box
Size: 573 x 255 x 283mm



AS3566 Australian Standard • 100% Made in Taiwan

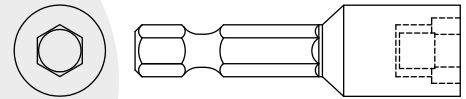
BN3 TIMBER-Tite™ Type 17 Self-Tapping Screws

Fixing roof sheeting to timber - Valley Fixing Fasteners



ADAPTER TO USE

Magnetic Hex Socket (5/16")

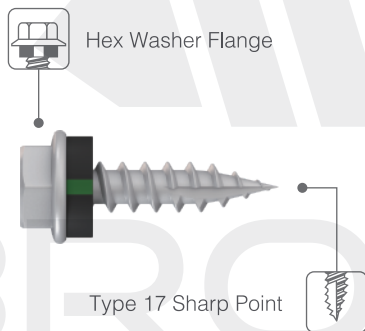


TIMBER PENETRATION

Min. 20mm penetration

PRODUCT FEATURES

Hex Washer Flange
Type 17 Sharp Point



WASHER

Eco-BDN® Green Washer



 Eco-BDN
Green Washer

SST 1000 hrs + Kesternich 7 cycles

PART NUMBER

#10 Gauge

BN3-T17H1020C3N 10-12 x 20mm

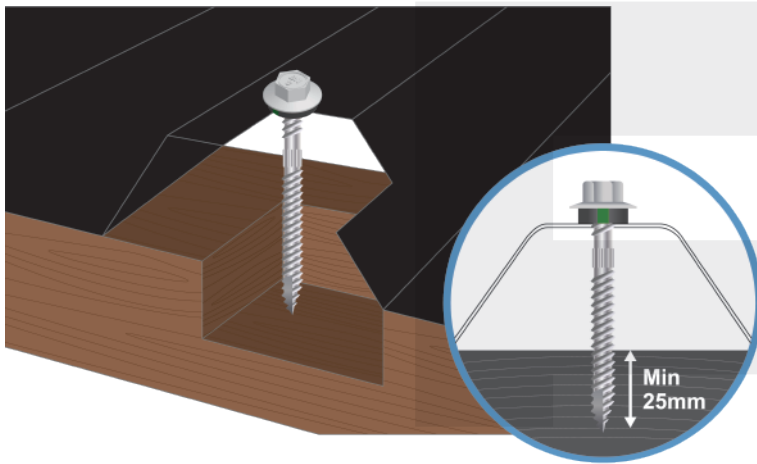


AS3566 Australian Standard • 100% Made in Taiwan

BN3 TIMBER-Tite™ Type 17 Self-Tapping Screws

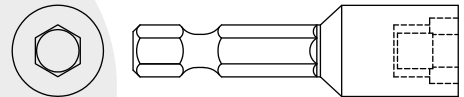
Fixing roof sheeting to timber - Crest Fixing Fasteners

TIMBER-Tite™



ADAPTER TO USE

Magnetic Hex Socket (5/16")



TIMBER PENETRATION

Min. 25mm penetration

PRODUCT FEATURES

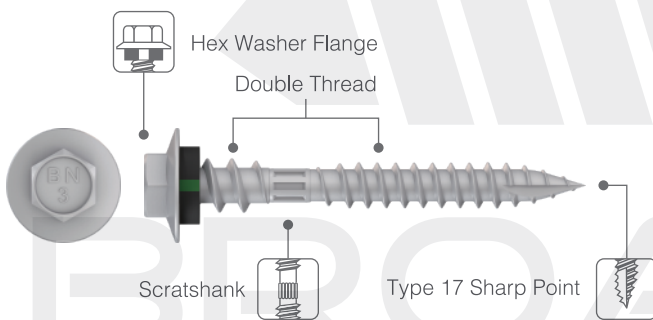
Hex Washer Flange
Type 17 Sharp Point
Double Thread
Scratchank

WASHER

Eco-BDN® Green Washer



Eco-BDN
Green Washer



SST 1000 hrs + Kesternich 7 cycles

PART NUMBER

#12 Gauge

BN3-T17HCG1250C3N	12-11 x 50mm
BN3-T17HCG1265C3N	12-11 x 65mm
BN3-T17HCG1275C3N	12-11 x 75mm



QUALITY CONTROL IN PROCESS

1. PRE-PRODUCTION INSPECTION

Drawing Check
Specific Conditions Check

2. HEADING / THREADING / PINCH POINTING

Machinery Condition Check
Molds and Dies Inspection and Setup
Batch tests and measurements during and after production

3. HEAT TREATMENT

Strictly controlled process
Fully equipped with well maintained case depth and hardness testers
Test Reports are provided by subcontractors for each batch.

4. SURFACE TREATMENT

Well equipped with salt-spray and corrosion test machinery
Test Reports are provided by subcontractors for each batch.
Sent to 3rd Party Accredited Labs by request.

5. SURFACE TREATMENT

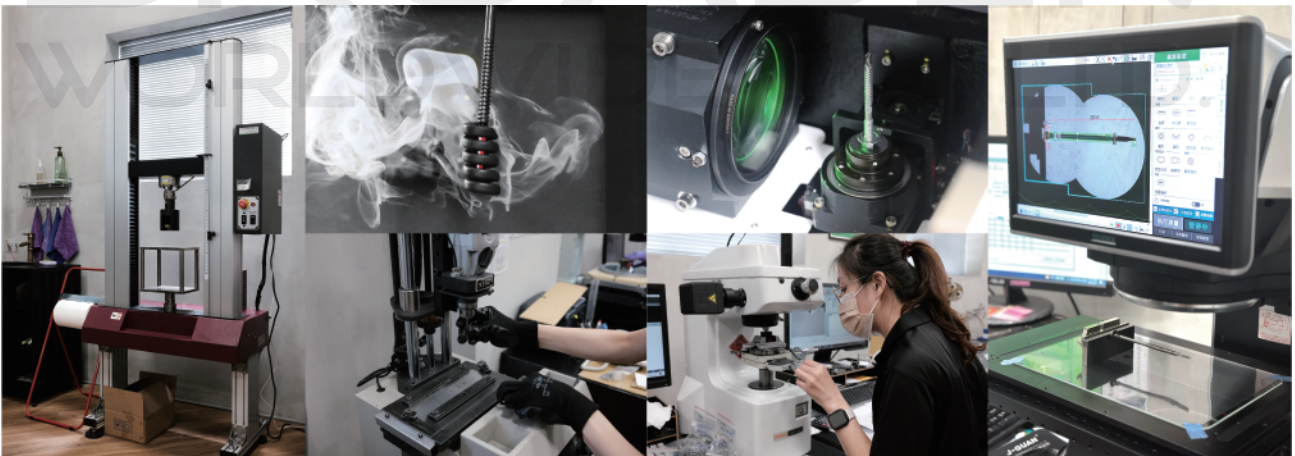
Well equipped with salt-spray and corrosion test machinery
Test Reports are provided by subcontractors for each batch.
Sent to 3rd Party Accredited Labs by request.

6. FINAL INSPECTION

Packaging, Labels, Quantity, and Pallet Conditions are all checked again prior to sending to port or loading into the container.

7. PRE-SHIPMENT SAMPLES SENT UPON REQUEST

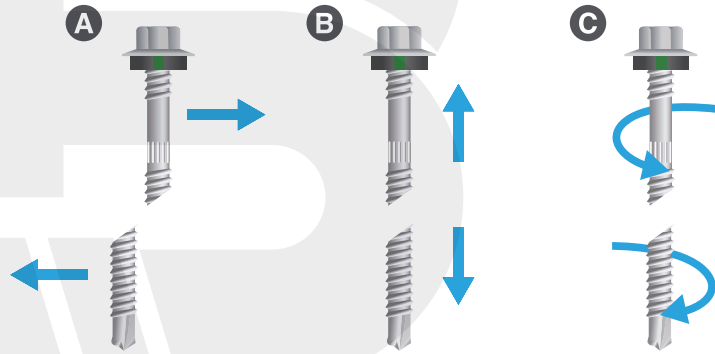
Pre-shipment samples along with a detailed in-house test report are sent to customers for verification, and the remaining samples archived for a minimum of 6 months for future reference.



Mechanical Properties

Screw Gauge / TPI	A Single Shear Strength (N)	B Axial Tensile Strength (N)	C Torsional Strength (Nm)
10-16 x L	6,800	11,900	6.9
10-24 x L	6,200	11,400	7.4
12-14 x L	8,800	15,300	10.9
12-11 x L (T17S)	8,400	13,900	9.4

- A Single Shear Strength (N)**
The shear load required to break the screw
- B Axial Tensile Strength (N)**
The tensile load required to break the screw
- C Torsional Strength (Nm)**
The torque required to break the screw



Pullout Values

BDN FASTENERS into Steel

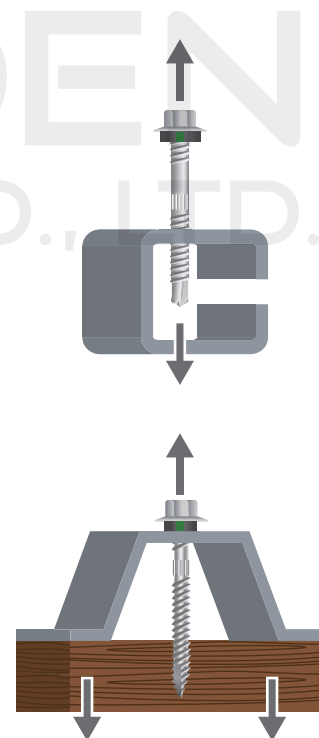
Screw Gauge / TPI	Steel Thickness				
	0.75mm Batten	1.20mm Stud	1.5mm Purlin	1.9mm Purlin	2.4mm Purlin
10-16 x L	1,860	2,320	4,200	5,500	7,820
10-24 x L	-	2,320	4,280	5,820	7,680
12-14 x L Screw Length longer than 20mm	-	1,980	3,040	5,160	6,960
12-14 x L Screw Length 20mm or Shorter	-	2,200	4,080	5,420	7,360

(Unit:Newtons)

BDN FASTENERS into Timber, Lightweight Battens & Steel

Screw Gauge / TPI	0.55mm Steel Batten	0.75mm Steel Batten	F7 Pine Timber	F17 Hardwood
10-12 x L (T17S)	1,320	2,220	5,700	6,000
12-11 x L (T17S)	1,510	2,400	3,900	6,460

(Unit:Newtons)



TECHNICAL DATA SHEET

BDN Fasteners® BN3 Series #12-14 x L

Head Marking: BN3 Monogram

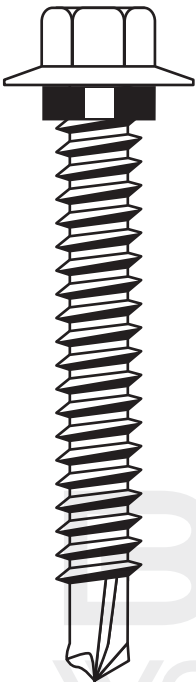
Item: BN3 #12-14 x L

Fastener Specifications: Hex Washer Flange, DUAL-EDGE® Drill Point

Dimensional Standards: BDN FASTENERS — AS 3566.1, Modified

Material Specifications: Low Carbon Steel, Grade C1022

Surface Treatment: RUSPERT® BN3 1000hrs



ULTIMATE PULL OUT LOAD

Method: Pull-out tests are done using an Universal Material Testing Machine (YM-H4501) at a speed rate of 5 mm/min until failure.

Test Plate	Plate Thickness (mm)	Max Pull Out Load (N)	Failure Analysis
Mild Steel Min. Tensile Strength 450 MPa	1.6	2498.25	Failure occurred at plate
	2.0	3433.55	
	2.5	5402.24	
	3.0	7225.05	
	3.5	8092.94	
	4.5	13587.11	Failure occurred at both plate and fastener threads
6.0	16752.21		

ULTIMATE SHEAR STRENGTH

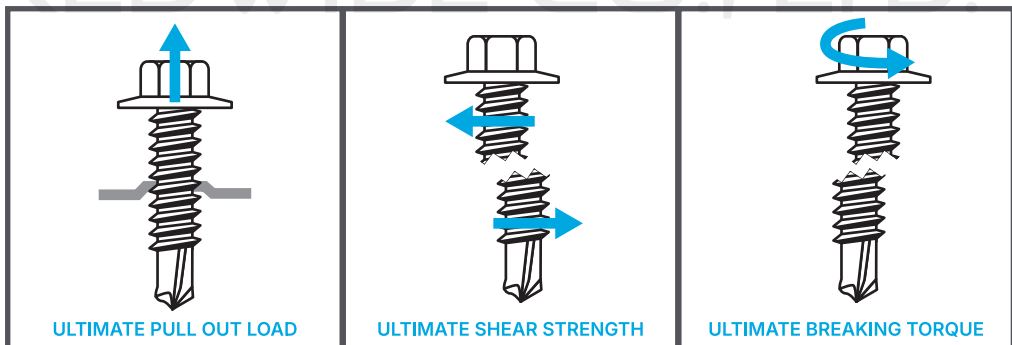
Method: Shear tests are done using an Universal Material Testing Machine (YM-H4501) at a speed rate of 10 mm/min until failure.

Nom. Inner Thread Diameter (mm)	X-Sectional Area (mm ²)	Max Applied Load (N)	Analysis
3.99 - 4.05	12.50 - 12.88	11000 - 11100	Tested until Break

ULTIMATE BREAKING TORQUE

Method: Torsional tests are done using a eclatorQ Torque Wrench with a range from 0 to 600 lbf/inch.

Failure Torque (Nm)	Analysis
Min. 10.9	Tested until Break



RECOMMENDED APPLICATION GUIDE

Machine Specifications: Torque : 17 - 29 Nm Speed : 1800 - 2500 RPM

Material Parameters: Zinc-coated steel Type G300-Z275, Type G350-Z275, or Type G450-Z350 in accordance with AS 1397.

Packaging Types

Different Packaging Types

Standard Outer Box
Size: 270x390x200mm



Standard Inner Box
i6: 125x250x90(H)mm



Standard Inner Box
i8: 125x180x90(H)mm



Standard Inner Box
i12: 125x115x90(H)mm



Standard Inner Box
i16: 90x125x90(H)mm



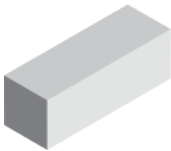
Standard Inner Box
i24: 90x80x90(H)mm



Standard Inner Box
i36: 80x60x90(H)mm



Specialty (A) Outer Box
Size: 560x195x135mm



Specialty (A) Inner Box
i5: 105x180x120mm



Specialty (A) Inner Box
i10: 105x90x120mm



Specialty (B) Outer Box
Size: 317x155x168mm



Specialty (B) Inner Box
i3: 102x147x150mm



Collated Screws Outer Box
Size: 573x248x280mm



Collated Screws Inner Box
Size: 570x120x60mm



Hang Hole Zip Lock Pack Outer Box
Size: 550x195x160mm



Hang Hole Zip Lock Pack
Size: 180x240mm+45mm



Bulk Carton (A)
Size: 320x180x170mm



Bulk Carton (B)
Size: 270x215x162mm



Plastic Tub
Size: 210x175x125mm



Standard PE Bag
Large: 210x230mm



Standard PE Bag
Small: 160x160mm



Packaging Guide

Brand new packaging, upsized logos, spiced up head markings and more! Updated color scheme means you'll never have trouble spotting trusty BDN Fasteners® anymore!

Color Printed Box

Standard Color Printed Outer Box
 O3 Size: 270 x 390 x 200mm

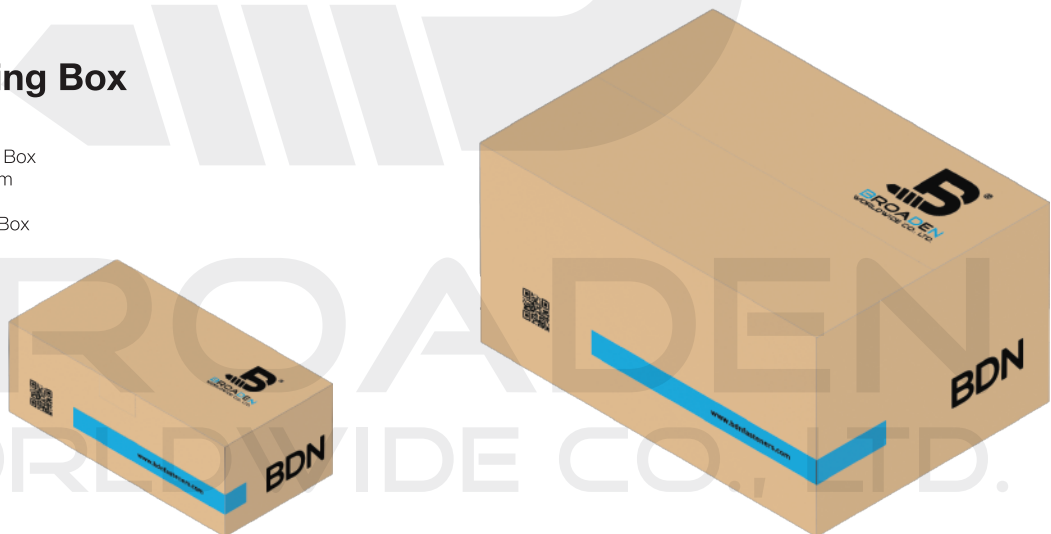
Standard Color Printed Inner Box
 i8 Size: 125 x 180 x 90mm



Kraft Packaging Box

Standard Kraft Paper Outer Box
 O3 Size: 270 x 390 x 200mm

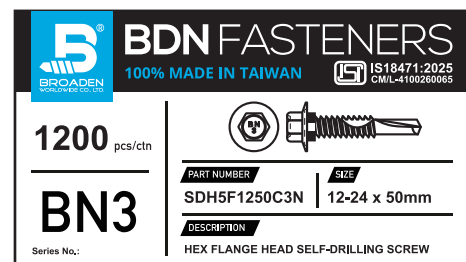
Standard Kraft Paper Inner Box
 i6 Size: 125 x 250 x 90mm



Product Label

BDN Fasteners® come with large, easy to read product labels. Each product has its own unique label showing the product category, packaged quantities, size, part no., color, and description.

To re-order, use the Part No., Product Description, and Color Code as indicated on the right. This information can be easily obtained from any of our existing packaging.



Surface Coating Corrosion Warranty

The below table is an indication of the warranty period based on the corrosivity of your location and is to be used as a guide only. To determine the appropriate ISO 9223 category for your environment, please contact your local representative. Environmental conditions and category is complex and can be influenced by a wide range of factors. Note that in certain instances, corrosion zones can extend out further to what is stated above.






ENVIRONMENTAL CONDITIONS	ATMOSPHERIC CORROSIVITY CATEGORIES (ISO 9223)	WARRANTY PERIOD Class 3 Coating	WARRANTY PERIOD Class 4 Coating
 LIGHT INDUSTRIAL URBAN Most areas beyond 50km from the sea, but can be as close as 1 km from seas that are relatively sheltered and quiet.	C2 LOW	25 YEARS	30 YEARS
 INDUSTRIAL Between 2km and 10km from an industrial plant, sewage treatment or airport.	C2 LOW	20 YEARS	25 YEARS
 MODERATE URBAN INDUSTRIAL Urban and industrial areas with low pollution, varies significantly with factors such as winds, topography and vegetation	C3 MEDIUM	15 YEARS	20 YEARS
 SEVERE INDUSTRIAL Within 2km of an industrial plant, aggressive industrial area, sewage treatment or airport.	C4 HIGH	10 YEARS	15 YEARS
 MILD & MODERATE MARINE Coastal areas within 50km from the sea, sheltered with low salinity, varies significantly with factors such as winds and topography.	C3 MEDIUM	15 YEARS	20 YEARS
 SEVERE MARINE Between 400m and 1km from the ocean or within 150m from a salt water inlet or creek.	C4 HIGH	6 YEARS	12 YEARS
 VERY SEVERE MARINE Up to 400m from the ocean, but outside the ocean spray zone.	C5 EXTREME	NOT RECOMMENDED	NOT RECOMMENDED

BDN Fasteners® has aligned the warranty period for its products to be consistent with the warranty period of major roofing material suppliers. AS3566.2 Outdoor Exposure testing results indicate the lifespan of our products to extend beyond the warranty period.

TECHNICAL SPECIFICATION

Report date: Dec. 05, 2022 tested by SGS and Nov. 04, 2022 tested by PIDC

Product range: ECO-BDN GREEN EPDM WASHER

	Fastener Gauge: #10		
	Outside Diameter (mm) 8.20-8.80	Inside Diameter (mm) 4.10-4.45	Thickness (mm) 2.20-2.80
	Fastener Gauge: #12		
	Outside Diameter (mm) 10.20-10.80	Inside Diameter (mm) 4.65-5.00	Thickness (mm) 2.40-3.00
	Fastener Gauge: #14		
	Outside Diameter (mm) 10.20-10.80	Inside Diameter (mm) 5.35-5.65	Thickness (mm) 2.40-3.00

 **Eco-BDN
Green Washer**



BDN FASTENERS, guarantee that the goods from the above "Product range" complies with the Australia & International Standards details below.

ASTM Method	Test Description	Specification	Result
D2240	Shore 'A' Hardness	80 +/- 5	82
D412	Tensile Strength (Mpa)	4.0 min	7.79
	Elongation (%)	150 min	410
D624	Tear Strength (kN/m)	20 min	33
D395	Compression set (%)	-	27
D573	Heat Resistance 70hrs @100°C	-	-
	Tensile Strength Change (%)	+/-10	+11
	Elongation Change (%)	+/-25	-22
	Hardness Change (Type A/1 sec)	+/-25	+4
D1171	Resistance to Ozone (100hrs@40°C)	-	100ppm No cracks
D2137	Low Temperature Brittleness (3min@-50°C)	-	Non-brittle
D257	Surface Resistivity (Ω)	-	Non-conductive
	Volume Resistivity(Ω-cm)	-	Non-conductive



Warranty Terms and Conditions

1. BDN Fasteners® warrants its Poly-Fast™ Polycarbonate fixings AS3566 Class 4 fixings with EPDM sealing washers (“the fixings”) against the loss of structural integrity due to the effects of corrosion or metallurgical defects on the following terms (“the BDN Fasteners® Building Products Corrosion Warranty”).
2. This warranty does not cover:
 - a. the threaded or shank areas of the screw (only the head is covered);
 - b. the aesthetic performance of the coatings (inclusive of paint blistering)
 - c. chemical or moisture from within the building or the build-up of unwashed corrosive salts or moisture under the cladding material
 - d. extreme pollution by chloride - typical of marine splash and spray zones
 - e. contact with soil, ash, fertilizer, moisture retaining substances, lead, copper or other metals or chemical agents;
 - f. salt water carried and deposited by cyclonic winds; physical damage to the coating (including accidental or intentional)
3. The warranty is not transferable from the original owner of the structure on which the fixings are used.
4. Determination of the environmental conditions and categories is based on the standards set in ISO 9223. Determination of these conditions is very complex and influenced by a range of environmental factors. Therefore, the determination of the ISO 9223 category applicable to the environment in which BDN Fasteners® Building Products fixings are to be used and the length of the BDN Fasteners® Building Products Corrosion Warranty must be done in consultation with BDN Fasteners® Building Products. The decision of BDN Fasteners® Building Products acting reasonably will be final in respect of the appropriate ISO 9223 category.
5. If BDN Fasteners® Building Products determines that a warranty claim has been made out, it will provide the same or equivalent fixings sufficient to replace the defective fixings.
6. The liability of BDN Fasteners® Building Products to you does not include or extend to direct, indirect, consequential or incidental damage including, without limitation, to any of the following:
 - a. Labor costs associated with the repair or removal of defective fixings or installation of replacement fixings.
 - b. Damage to property, injury to persons, loss of any income or any other indirect loss that is caused by or has arisen in any way by the defective fixings.



Warranty Terms and Conditions

7. This warranty is conditional upon:
 - a. Fixings being installed in accordance with BDN Fasteners® Building Products Recommendations and any applicable standards and building codes.
 - b. Fixings on all walls, cladding and other sheltered areas that are not exposed to frequent rain, being washed down by the owner with fresh water at least every 2 months.
 - c. The fixings being recommended by the cladding manufacturer as suitable for use with its cladding material and being maintained as recommended by the cladding manufacturer.
 - d. The fixings, as supplied, not at any time coming into contact or being coated with an incompatible material including any post paint treatments or systems.
8. This warranty does not cover you for any loss or damage, wholly or partly due to an event beyond the reasonable control of BDN Fasteners® Building Products including, without limitation, acts of God.
 - a. In order to make a claim under this warranty, you must:

Notify BDN Fasteners® Building Products in writing of the claim by email to: info@bdfasteners.com no later than 30 days after the end of the warranty period;
 - b. Provide BDN Fasteners® Building Products with the following:
 - i. Proof of purchase of the fixings in respect of which the claim is made;
 - ii. Installers/Installation details including name, phone number, date of installation and site address
 - iii. Details of the fixings and the quantity used on the original installation
 - iv. Photos from the site CLEARLY showing: the building and roof/cladding containing the fixings; in close-up detail, the corrosion detail of the fixings as installed in the roof or cladding;
 - v. Details of the roof structure including cladding and batten material;
 - vi. Proof of wash down for situations where cladding is not a roof or is sheltered from washing by rain;
 - vii. FIVE samples of the corroded fixings; and
 - viii. Access for a representative of BDN Fasteners® Building Products to inspect at a mutually agreed time.
 - c. Bear all expense involved in making the claim which costs will not be recompensed by BDN Fasteners® Building Products



BROADEN
WORLDWIDE CO., LTD.

BN3 FASTENERS